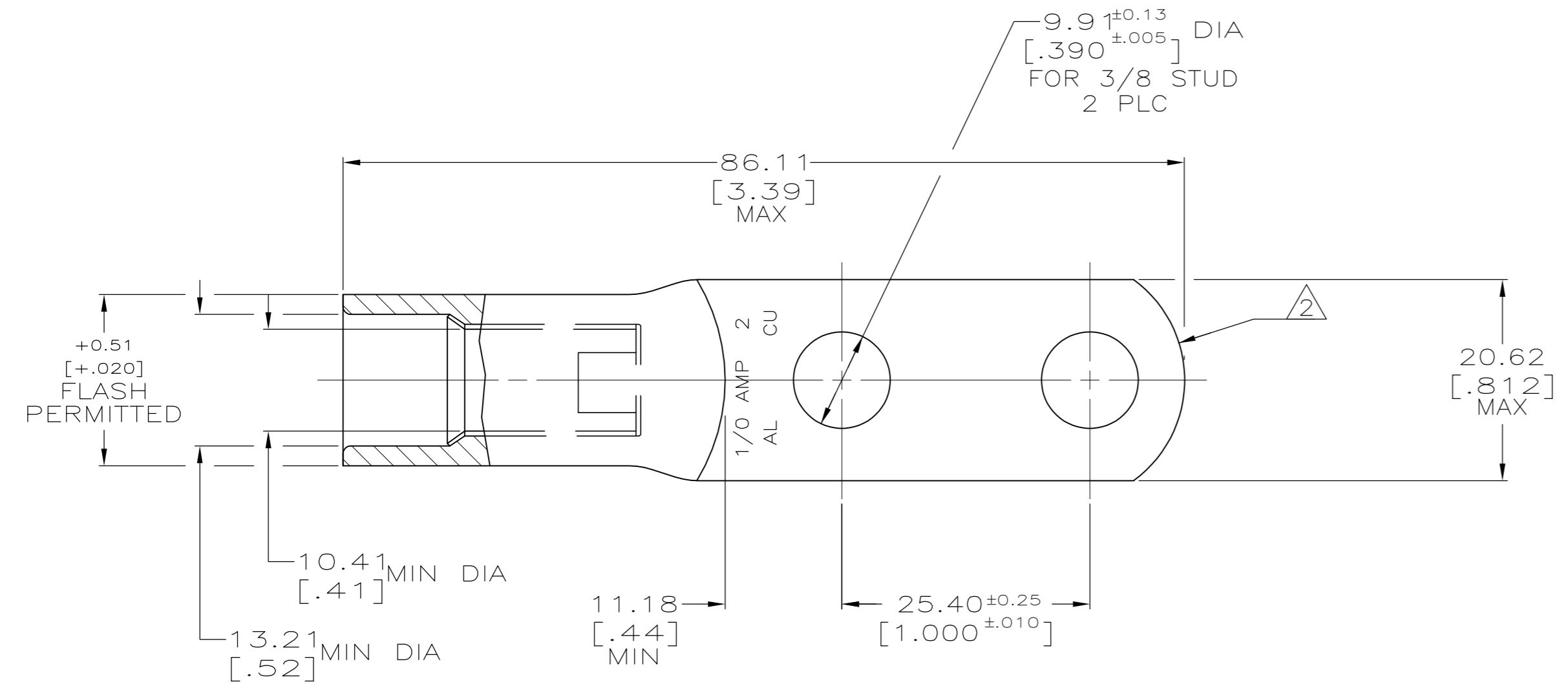
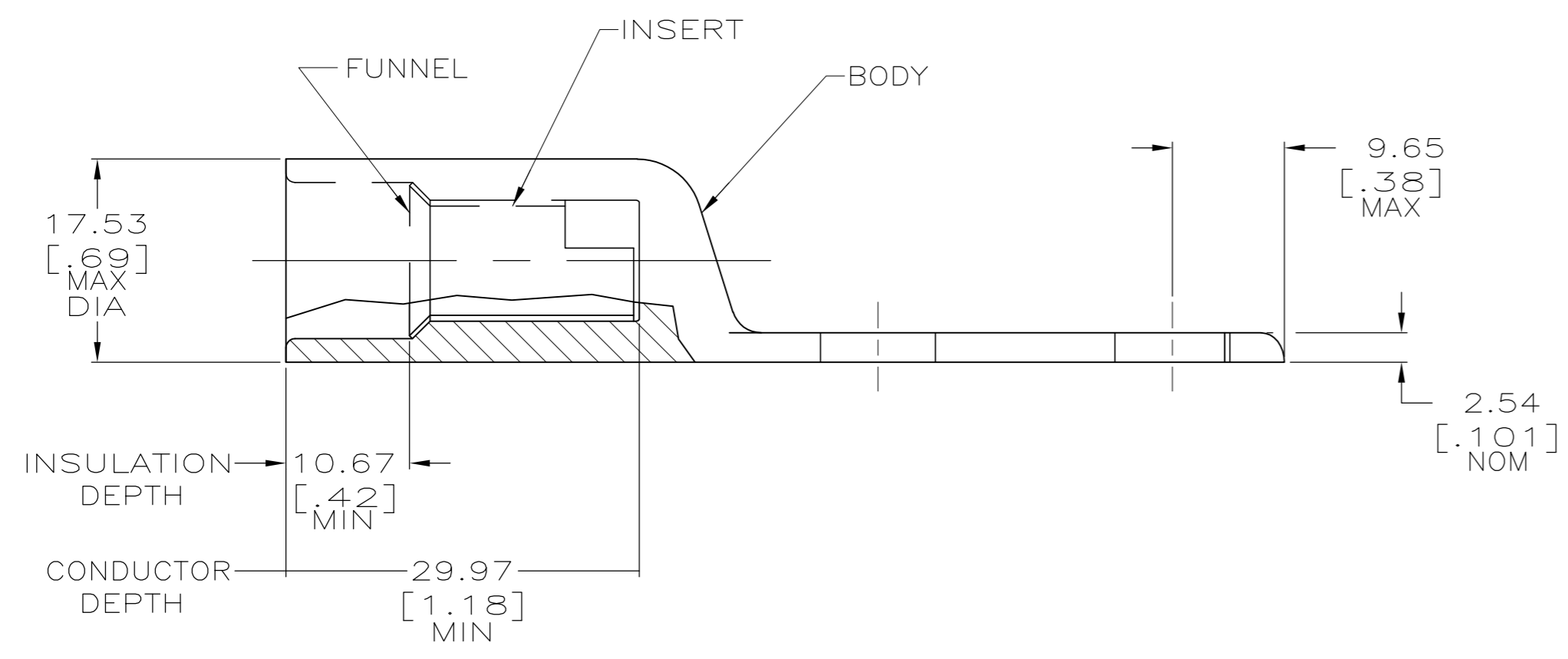


THIS DRAWING IS UNPUBLISHED. RELEASED FOR PUBLICATION  
 © COPYRIGHT BY TYCO ELECTRONICS CORPORATION. ALL RIGHTS RESERVED.

LOC	DIST	REVISIONS					
		P	LTR	DESCRIPTION	DATE	DWN	APVD
G	86	F		REV PER ECR 08-004985	26FEB08	JR	MS



1 WIRE INSULATION: 10.79[.425] - 11.94[.470] DIA  
 △ 2 THE TONGUE RADIUS FEATURE IS NOT A TOOLING CONTROLLED DIMENSION AND MAY NOT BE A TRUE RADIUS.



BODY: COPPER ASTM-B187 ANNEALED TIN PL MIL-T-10727 0.00457[.000150] MIN THK INSERT & FUNNEL: BRASS PER ASTM B36 NICKEL PLATE SAE AMS QQ-N-290A, DATED JULY 2000, 0.00254 [.000100] MIN THK	55837-1
MATERIAL AND FINISH	PART NO.

THIS DRAWING IS A CONTROLLED DOCUMENT.		DWN	DK SCHRUM	6/15/92	Tyco Electronics Corporation Harrisburg, PA 17105-3608
DIMENSIONS: MM [ INCHES ]		CHK	WJ VOCKROTH	6/16/92	
TOLERANCES UNLESS OTHERWISE SPECIFIED:		APVD	AJ KAUFMAN	6/16/92	NAME
0 PLC ± - 1 PLC ± - 2 PLC ± - 3 PLC ± - 4 PLC ± - ANGLES ± -		PRODUCT SPEC	108-11011		WIRE TERMINAL, COPALUM SEALED, RING TONGUE, WIRE SIZE: 1/0 AL, 2 COPPER
MATERIAL SEE TABLE		APPLICATION SPEC	114-2134		
FINISH SEE TABLE		WEIGHT	62 GRAMS		RESTRICTED TO
		CUSTOMER DRAWING	SCALE	2:1	SHEET
					1 of 1
					REV
					F

55837

A